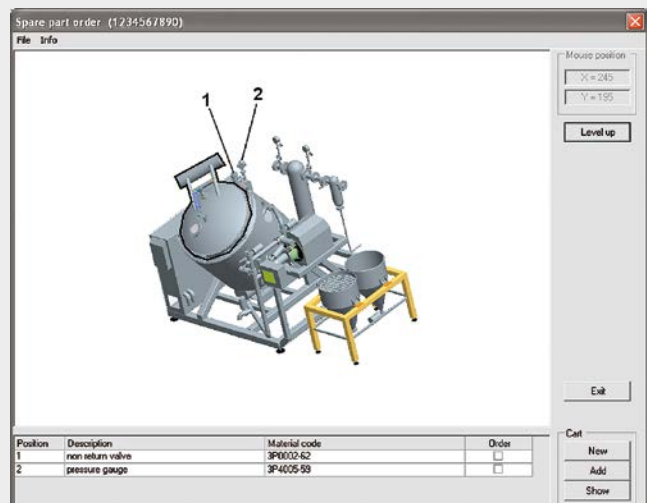


PROXES SYSTEMS SPARE PARTS SYSTEM

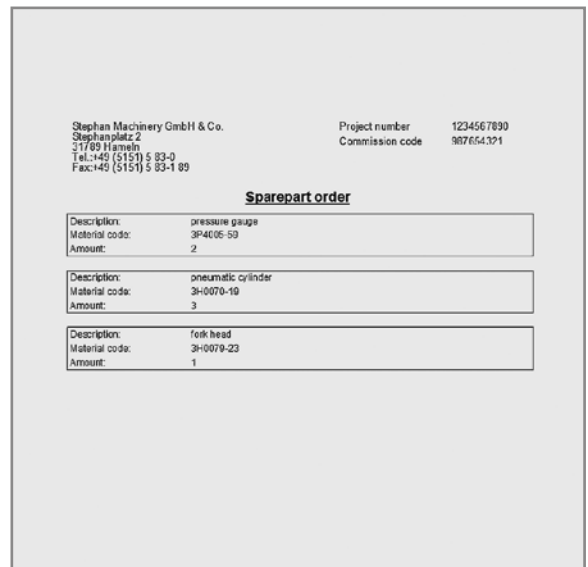
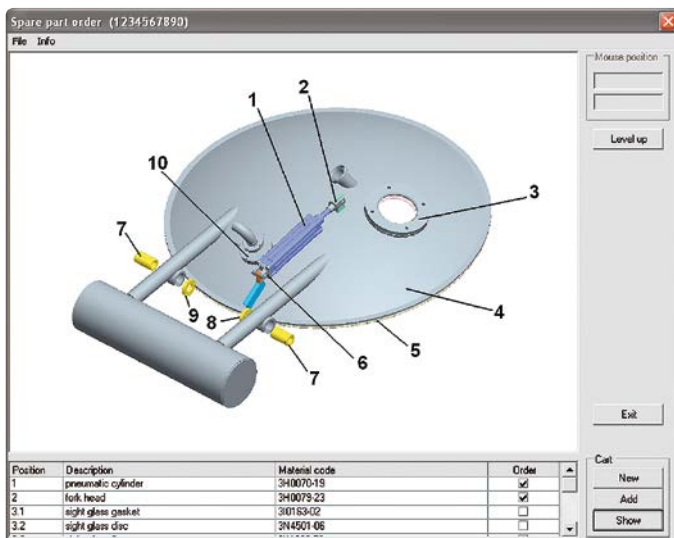
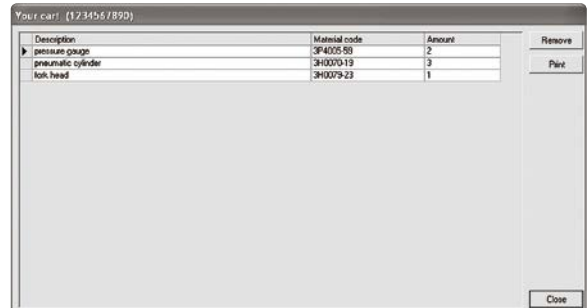
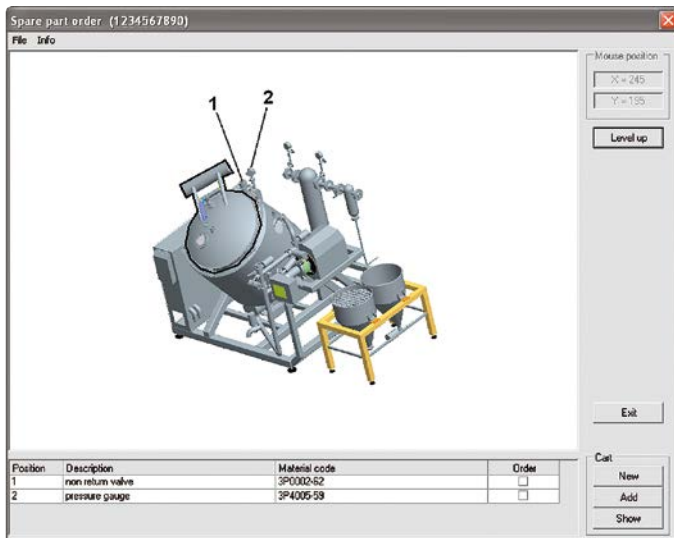
For simple and efficient purchase of spare parts



With the ProXES Systems Spare Parts software spare parts can be specified and selected easily at your office computer. Each spare part can be selected quickly and simply by a special segmentation of each machine in various detail levels.



PROXES SYSTEMS SPARE PARTS SYSTEM



THE FOLLOWING FEATURES ARE INCLUDED IN THE PROXES SYSTEMS SPARE PARTS SOFTWARE

- /// "BASKET OF GOODS" FUNCTIONALITY
- /// AUTOMATIC CREATION OF A PURCHASE ORDER
- /// ONLINE LANGUAGE SWITCHING
- /// USER ADMINISTRATION
- /// NETWORK ARCHITECTURE

PROXES SYSTEMS
 c/o Stephan Machinery GmbH
 Grabauer Straße 6-10
 21493 Schwarzenbek / GERMANY
 phone +49 4151 8987-0
 fax +49 4151 8987-10

info@proxes-group.com
 www.proxes-group.com
 www.stephan-machinery.com

member of >
ProXES
 the processing > group